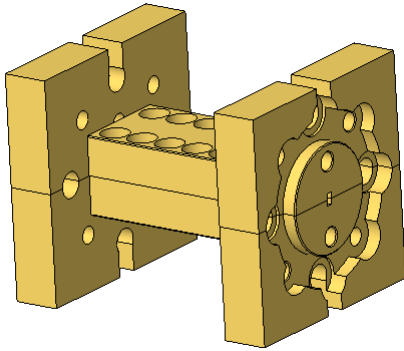


AT-HPF-140-05A: 140GHz High-Pass Filter, WR-05



Product Overview

AT Microwave offers high performance band waveguide band-pass filter from 26.5-260GHz. Other frequency bands and rejection requirement can provide according to request.

Based on our excellent design work, precise machine tolerance and outstanding quality plating, we can provide band pass filter with low insertion loss, good return loss and high rejection at the same time.

More information, please visit www.atmicrowave.com

Advantages

- ✓ Low Insertion Loss
- ✓ Good Return Loss
- ✓ High Stop Band Suppression
- ✓ Sharp Roll-Off

Application

- ✓ Automotive Radar Test
- ✓ FOD (Foreigner Objects Debris)
- ✓ Test Equipment
- ✓ ROF (RF Over Fiber)
- ✓ Radar System

Key Features

Parameter	Min	Typical	Max
Passband Frequency		140-220GHz	
Passband Insertion Loss		-1.5 dB	-2.5
Passband Return Loss	-10	-15 dB	
Rejection Frequency		DC-135GHz	
Rejection	-30	-40dBc	
Spec Temp		25C	



Mechanical Information

Item	Description
Input Port	WR-05 waveguide with UG-387/U-M anti-cocking Flange
Output Port	WR-05 waveguide with UG-387/U-M anti-cocking Flange
Case Material	Copper
Finish	Gold Plated
Weight	33g
Size:	See Dimension

Absolute Maximum Ratings Table

Parameter	Value
Operating Temperature	-40 to +85C
Storage Temperature	-65 to +150C

Simulation Result

Note: Performance may vary from different units.

To be added.

Dimension(mm)

